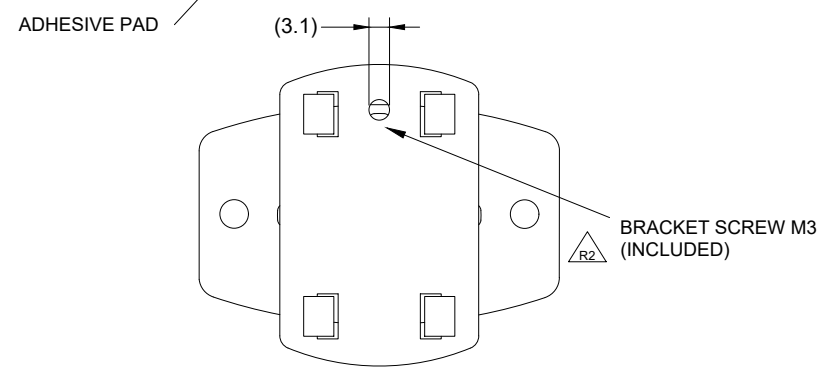
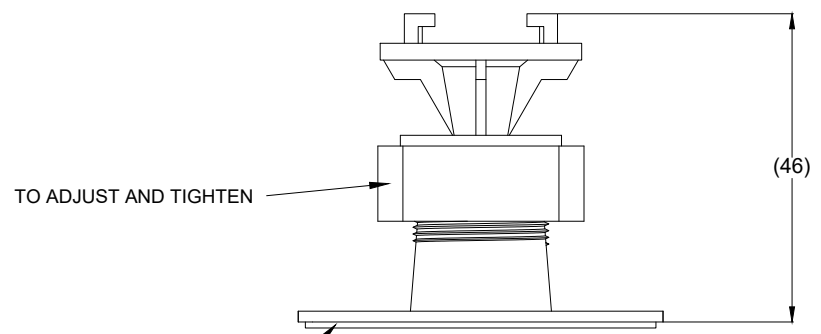
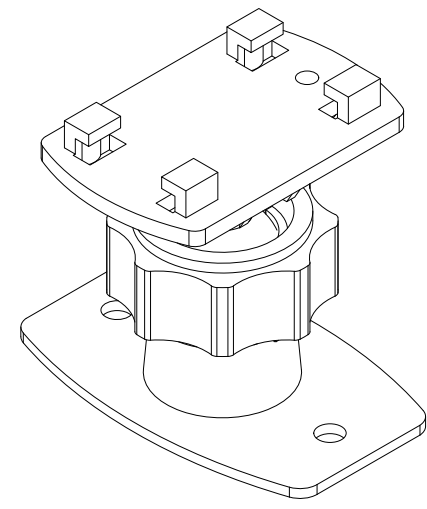
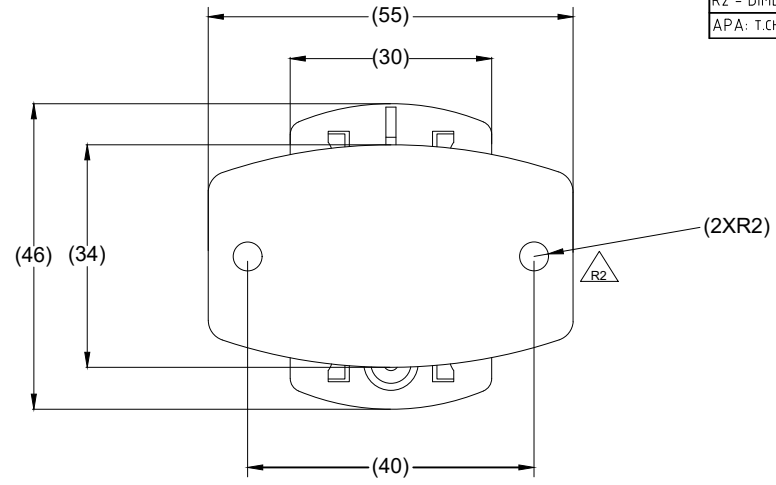


Revision Notes				
R1 - R1 - TOOL PART BRACKET SCREW HOLE CHANGED FROM M2 TO M3 AS PER CR-A980				
APA: MAGGIE HSU	Drawn:L. CHEUNG	Checked:S. LAVAL	Approved:A. KEBEDE	Date: 14/12/22
R2 - DIMENSION UPDATE FOR DISTANCE BETWEEN MOUNTING HOLES AS PER CR-A1088				
APA: T.CHEN	Drawn:B.STROHMER	Checked:D.FOALE	Approved:A.KEBEDE	Date: 03/09/24



- NOTES:**
1. REFER TO MASTER BOM FOR PACKAGING INFORMATION.
  2. MATERIAL: ABS+PC
  3. FINISH: BLACK
  4. FIXING SCREW SIZE: M4 (NOT SUPPLIED)
  5. ADJUSTABLE IN ALL DIRECTIONS UP TO 28°

**PROPRIETARY NOTICE**  
 THIS DESIGN AND TECHNICAL INFORMATION APPEARING ON THIS DRAWING IS THE PROPERTY OF BRIGADE ELECTRONICS, AND IS DISCLOSED IN CONFIDENCE. IT IS NOT TO BE COPIED, REPRODUCED, REVEALED TO OR EXPROPRIATED BY OTHERS, EITHER IN WHOLE OR IN PART WITHOUT THE EXPRESS WRITTEN CONSENT OF BRIGADE ELECTRONICS.



Assembly Pl Approval M. LIN	Approved by R. PENTLEY	Checked by L. PILLAY	Drawn by S. ROBERTSON
Angle of Projection	Units mm	Scale N/A	Released 13/06/19
Third Angle	Status RELEASED	Assembly Ref BS-BKT-02	
	Part No 5634	BE-003893-02-18	